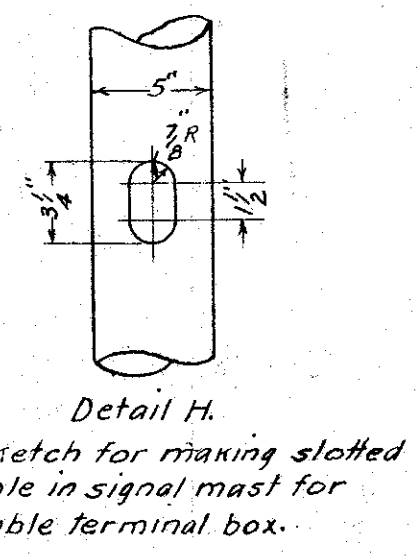
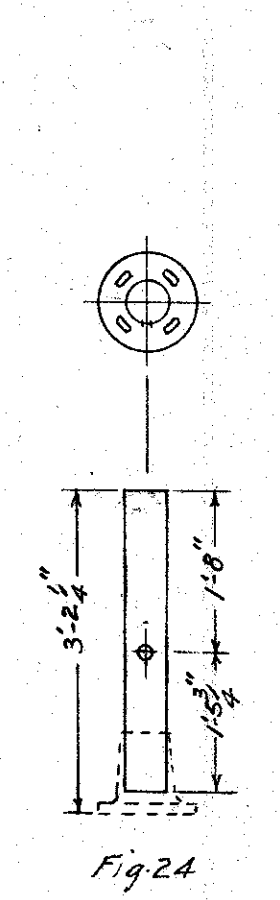
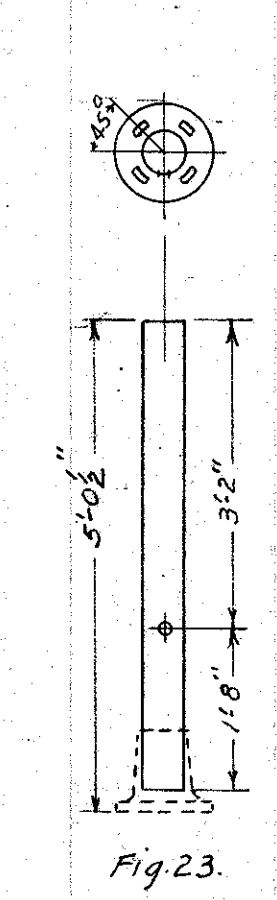
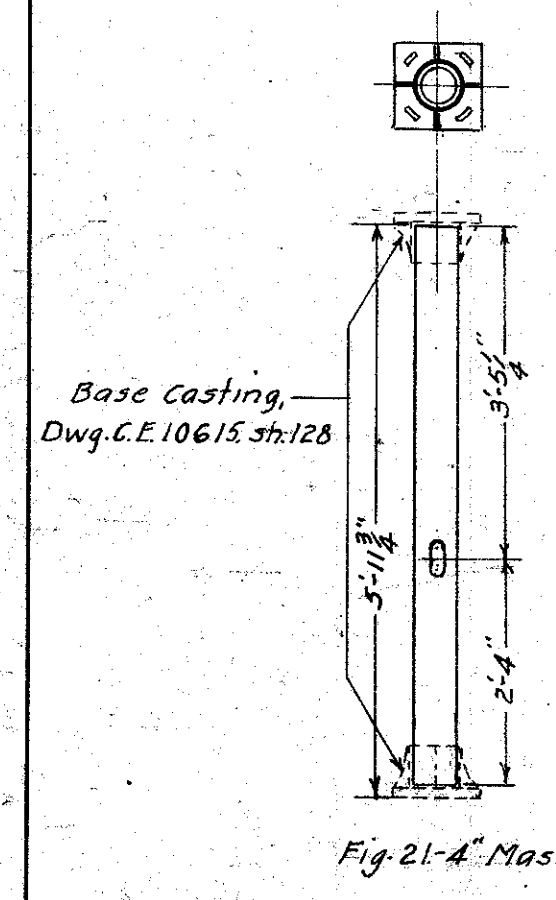
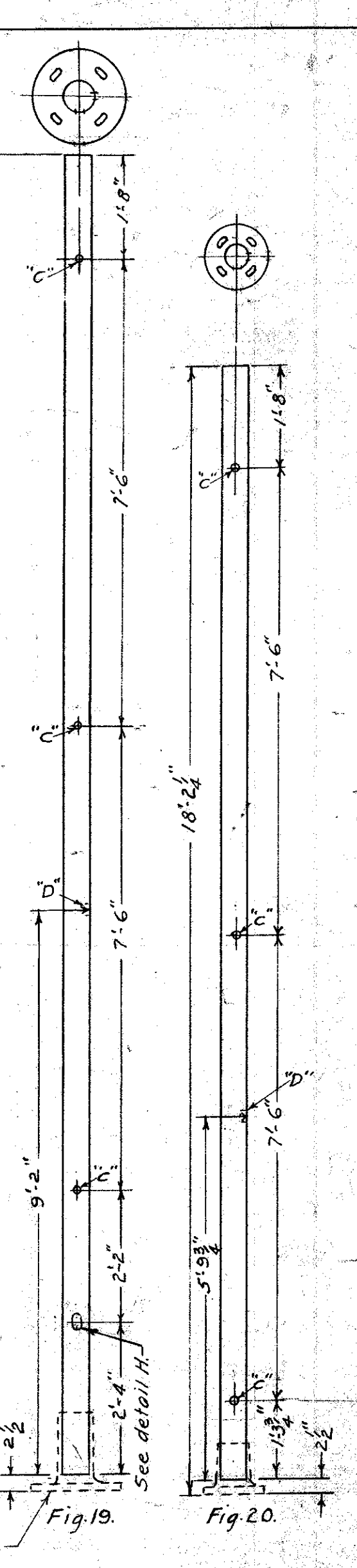
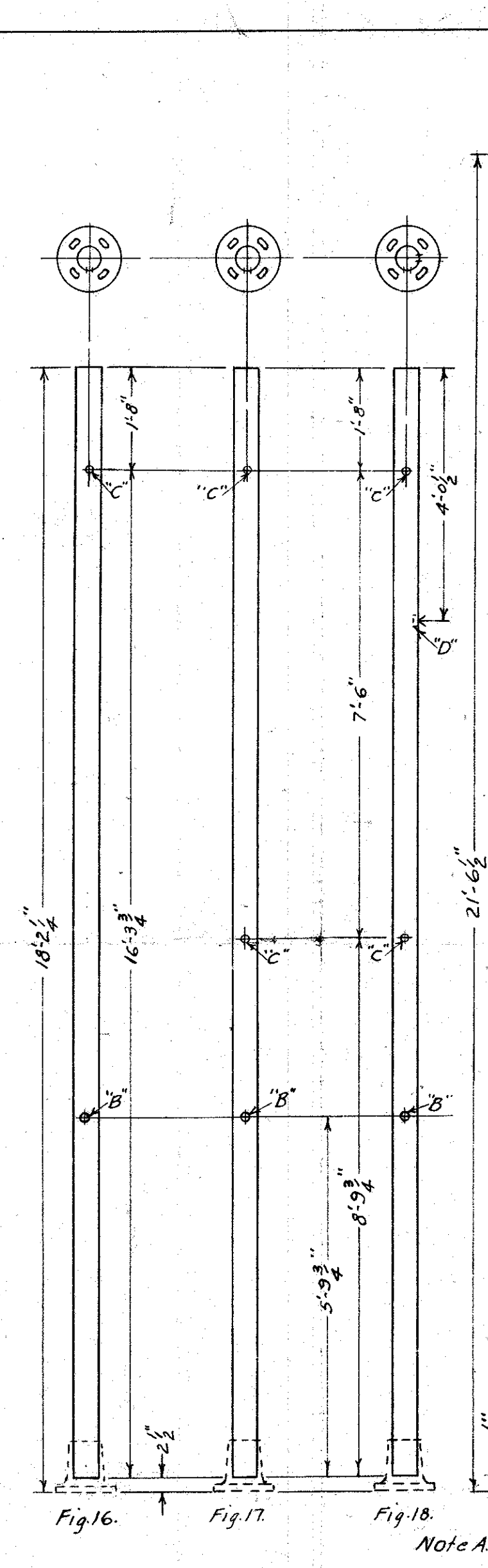
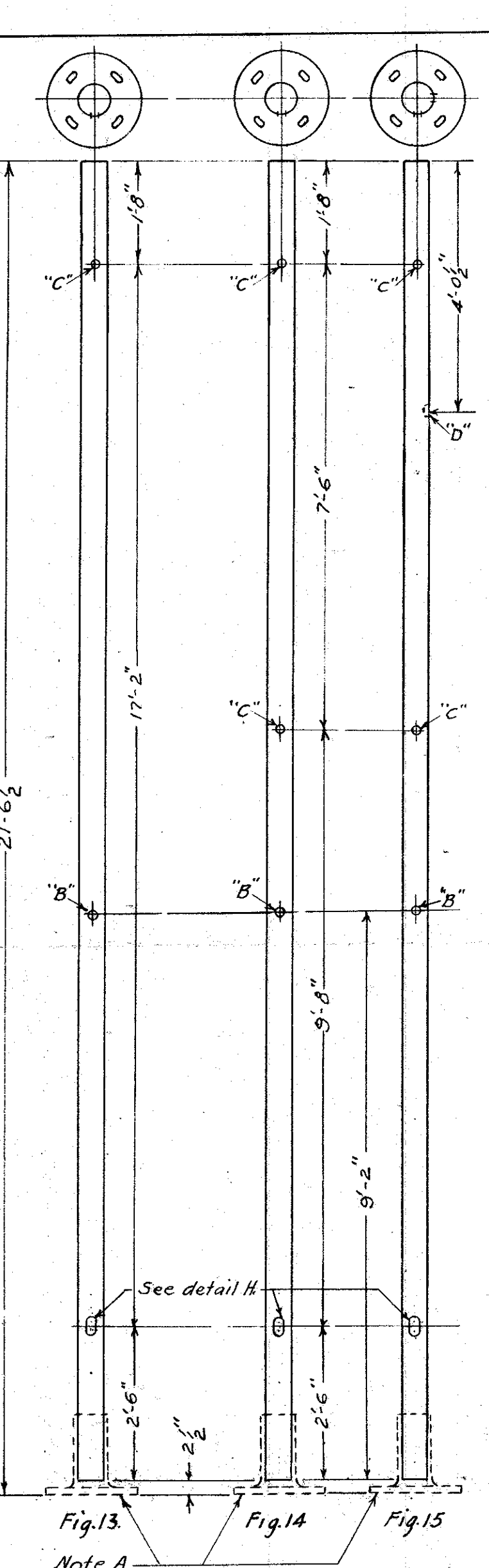
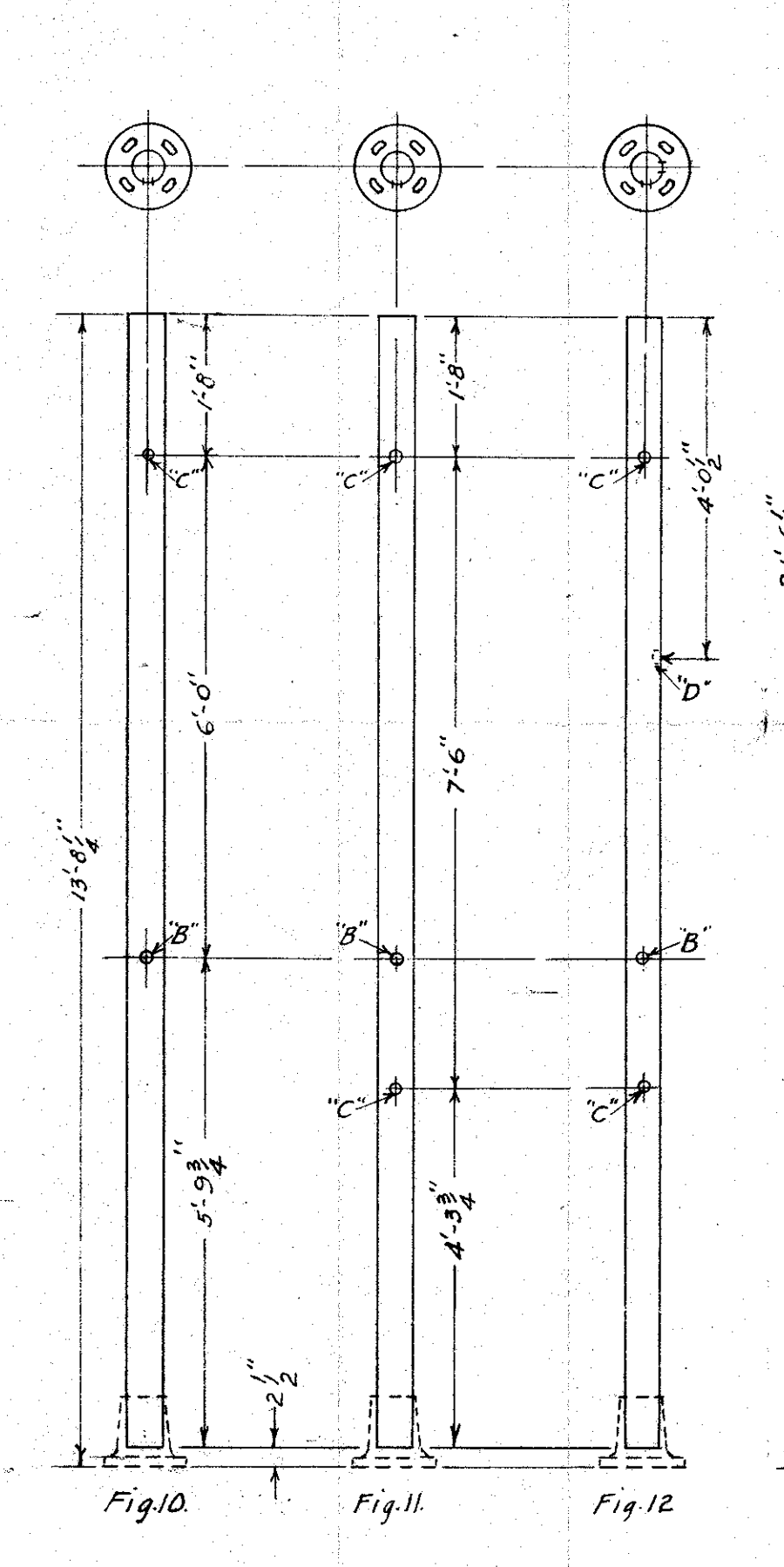
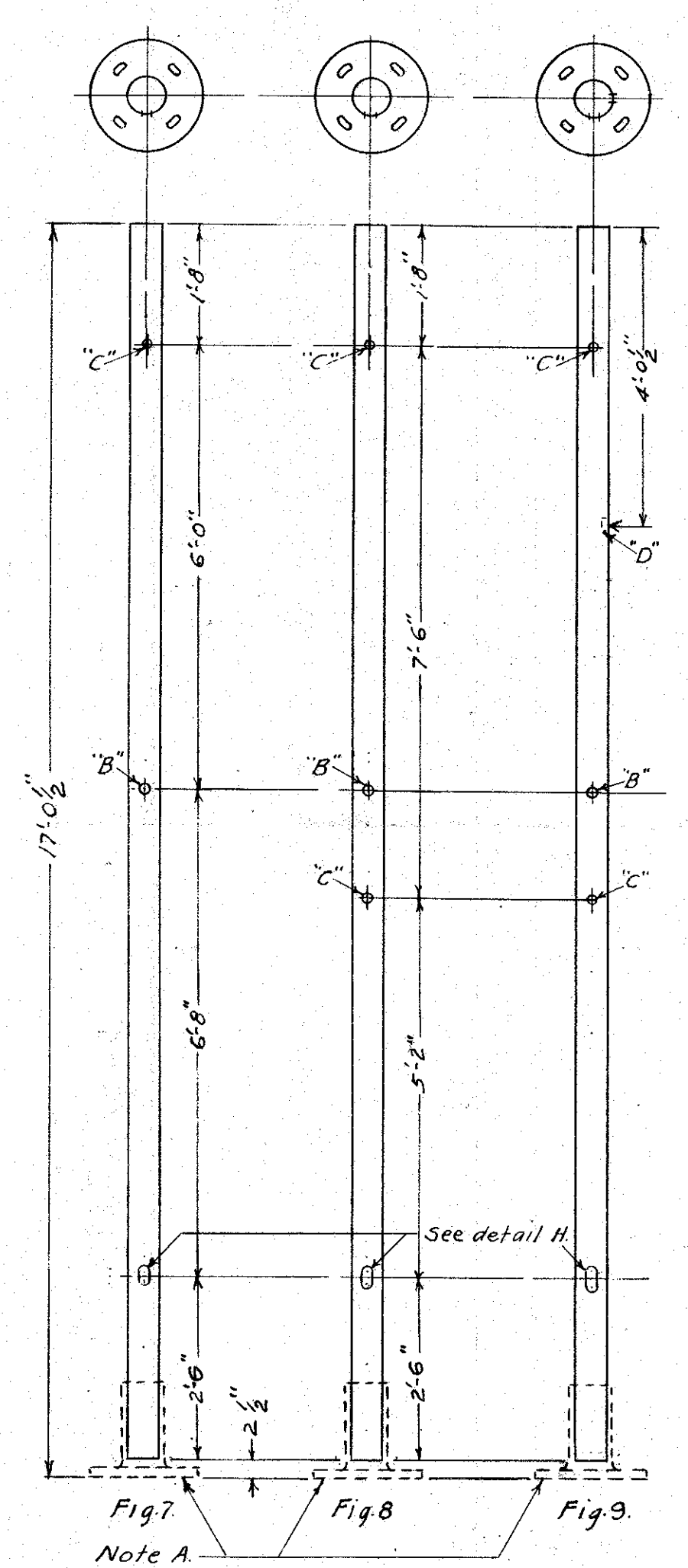
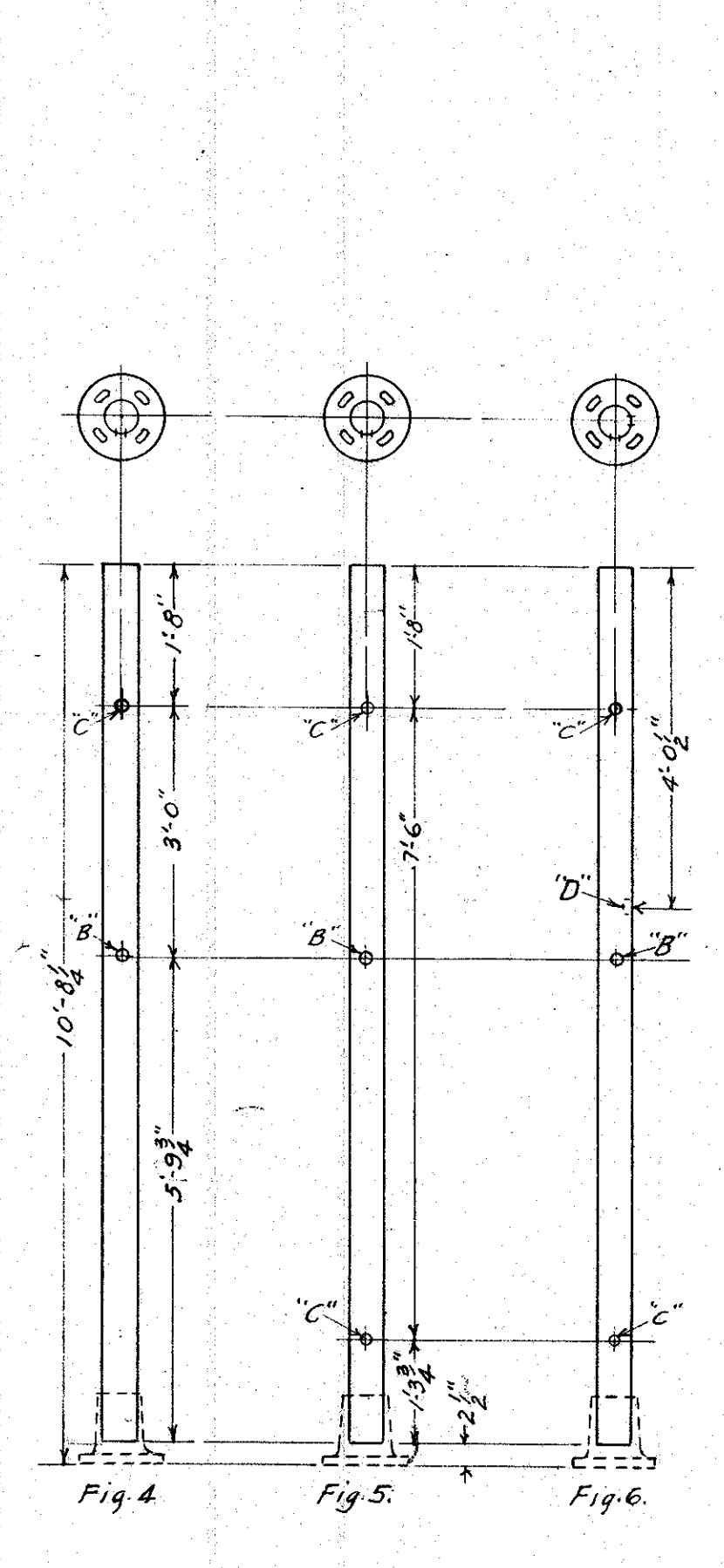
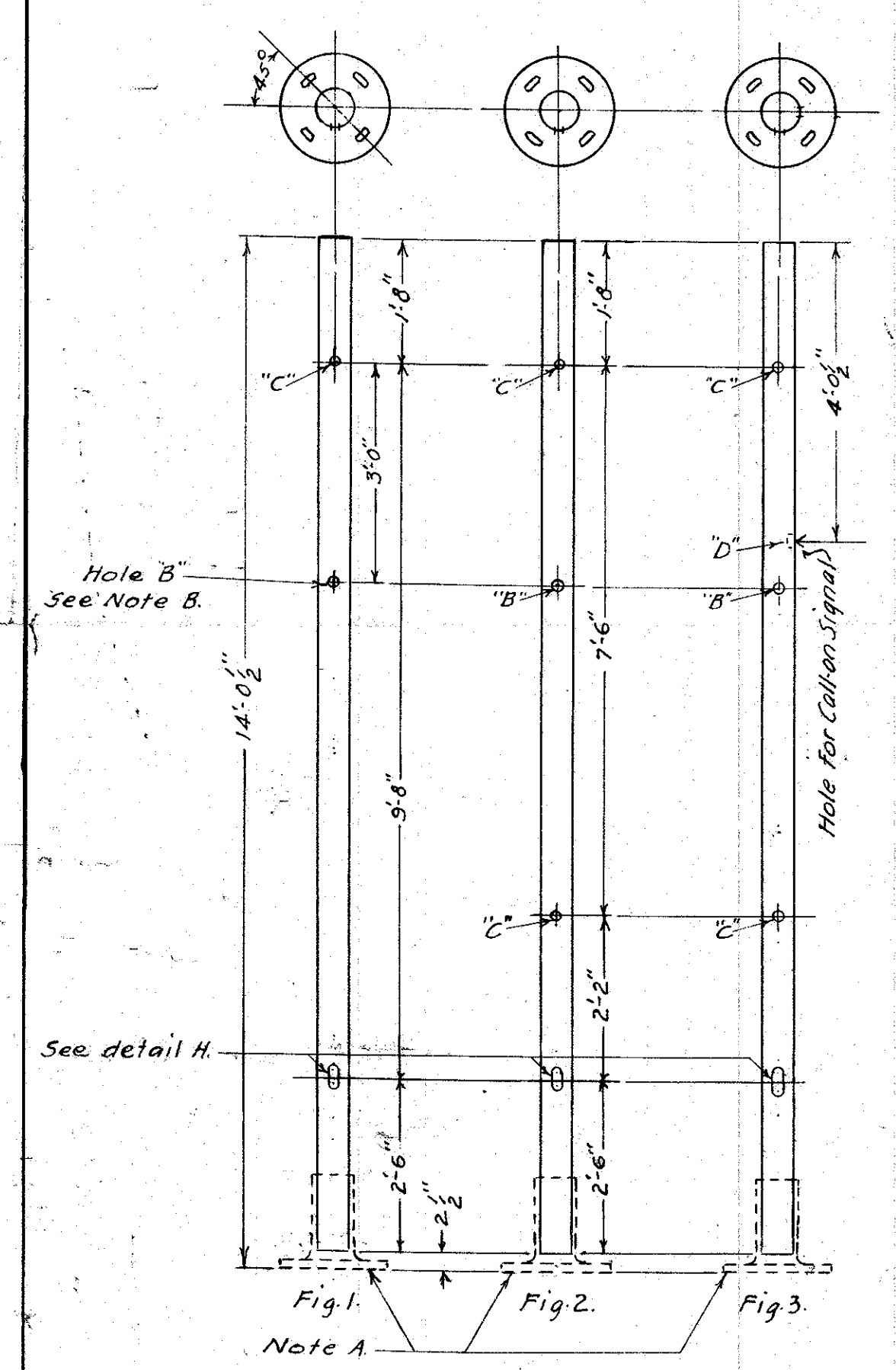


| REVISIONS | |
|-----------|---|
| 5-13-43 | Length of Fig. 24 mast was 3'-0". Mast in Socket Bases, Fig. 12, 3, 7, 8, 9, 13, 14, 15 & 19 was 48" from bottom. |
| 1-27-45 | Reference for Signal Masts, Figs. 10, 16, 23. |
| 04/6 | |



| Masts On Socket On Single Base | Signal Assemblies, C.E. 10615, sheet 127 | Ladders, C.E. 10615, sheet 127 B |
|--------------------------------|--|----------------------------------|
| Fig. 1 | Fig. 1 or Fig. 2. | Fig. 1 |
| Fig. 2 | Fig. 1 or Fig. 2 with Route Signal. | Fig. 1 |
| Fig. 3 | Fig. 1 or Fig. 2 with Route and Call-on Signal. | Fig. 1 |
| Fig. 4 | Fig. 3. | Fig. 1 |
| Fig. 5 | Fig. 4. | |
| Fig. 6 | Fig. 5. | |
| Fig. 7 | Fig. 1 or Fig. 2 except for 18 Ft. Signal. | Fig. 2. |
| Fig. 8 | Fig. 1 or Fig. 2 except for 18 Ft. Signal with Route Signal. Signal Heads 7'-6" C to C. | Fig. 2. |
| Fig. 9 | Fig. 1 or Fig. 2, as above with Call-on Signal. | Fig. 2. |
| Fig. 10 | Fig. 3 except for 18 Ft. Signal. | Fig. 2. |
| Fig. 11 | Fig. 4 except for 18 Ft. Signal with Route Signal. Signal Heads 7'-6" C to C. | |
| Fig. 12 | Fig. 5 except for 18 Ft. Signal. | |
| Fig. 13 | Fig. 1 or Fig. 2 except for 22'-6" Signal. | Fig. 3. |
| Fig. 14 | Fig. 1 or Fig. 2 except for 22'-6" Signal with Route Signal. Signal Heads 7'-6" C to C. | Fig. 3. |
| Fig. 15 | Fig. 1 or Fig. 2 as above with Call-on Signal. | Fig. 3. |
| Fig. 16 | Fig. 3 except for 22'-6" Signal. | Fig. 3. |
| Fig. 17 | Fig. 4 except for 22'-6" Signal. | |
| Fig. 18 | Fig. 5 except for 22'-6" Signal. | |
| Fig. 19 | Fig. 6 for 22'-6" Signal without Case. | Fig. 3. |
| Fig. 20 | Fig. 6. | Fig. 3. |
| Fig. 21 | Fig. 2. | |
| Fig. 22 | Fig. 2. | |
| Fig. 23 | Fig. 4. | |
| Fig. 24 | Fig. 4 except without Pole Cap. Signal Head Bracket and Mast Cap same as used for Fig. 3, C.E. 10615, sh. 127. | |

Note A:- Socket Base, Piece 181229, Dwg. C6702, sh. 13 U.S. & S. Co. for Signals without Instrument Case.

Note B:- Hole B = 1/2" Pipe Thread for Cable Entrance. Specify when required.
 C = 1/2" Pipe Thread.
 D = 3/4" Pipe Thread.
 Signal Masts are 5" Casing except Fig. 21 which is 4".

SOUTHERN PACIFIC COMPANY
 PACIFIC LINES
 STANDARDS
 CENTRALIZED TRAFFIC CONTROL
 SEARCHLIGHT SIGNAL MASTS
 DRILLING DETAILS
 SCALE: 1/2" = 1'-0". 1-6-43